



Permit # \_\_\_\_\_

**City of Westbrook**  
**Engineering Department**  
**Application for Permit to Excavate in Public Places**

Name of property owner where work is being performed \_\_\_\_\_  
Address \_\_\_\_\_  
Telephone # \_\_\_\_\_ Email \_\_\_\_\_  
Proposed Starting Date \_\_\_\_\_  
Proposed Completion Date \_\_\_\_\_  
Purpose of Excavation \_\_\_\_\_  
\_\_\_\_\_  
\_\_\_\_\_

Name of Applicant performing work \_\_\_\_\_  
Address \_\_\_\_\_  
Telephone # \_\_\_\_\_ Email \_\_\_\_\_  
24-Hour Emergency Telephone # \_\_\_\_\_

Name of Applicant's Liability & Property Damage Insurance \_\_\_\_\_  
Address \_\_\_\_\_  
Policy # \_\_\_\_\_

Dig Safe Authorization # \_\_\_\_\_ Date \_\_\_\_\_  
Telephone 1-888-344-7233

The applicant shall show an 8 1/2" x 11" sketch matched "Exhibit A", trench locations, trench widths, trench depths, existing utilities, proposed location of barricades, warning signs, detour signs and detour routes.

**NOTE:** If any street is to be blocked off, Council approval is required. Once approval is granted, the applicant must notify the Police Department, Fire Department and Public Services. If gas lines are damaged, the applicant must call 911.

Applicant's Signature \_\_\_\_\_ Date \_\_\_\_\_  
(Only one signature required)

.....  
 Approved City Engineer \_\_\_\_\_ Date \_\_\_\_\_  
Public Services Director \_\_\_\_\_ Date \_\_\_\_\_  
 Disapproved Wastewater Manager \_\_\_\_\_ Date \_\_\_\_\_

In accordance with Chapter 29, Article IV code of Ordinances City of Westbrook



# City of Westbrook

DEPARTMENT OF PUBLIC SERVICES & ENGINEERING

371 Saco Street

Westbrook, Maine 04092

(207) 854-0660

Fax: (207) 854-0672

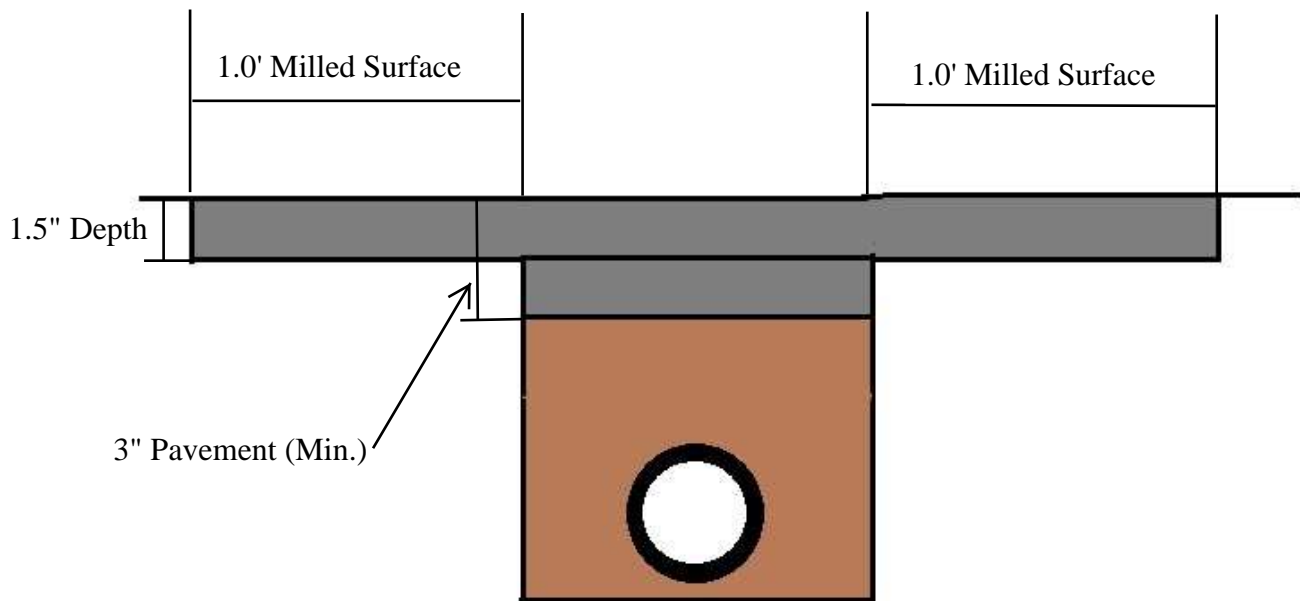
## STREET EXCAVATION PERMIT TRENCH PAVEMENT RESTORATION

### Description

**Pavement** – Paved trenches should be milled out at least 1 foot on either side of the trench and repaved with a minimum of 12.5 mm nominal aggregate sized hot mix asphalt. The ambient temperature should be 40°F and rising to ensure maximum compaction. Pavement should not be placed on top of pavement if it is wet, and gravel will not be paved on top of if puddling is occurring. The trench should have a minimum of 3 inches of pavement with each lift being no more than 1.5 inches in depth.

**Aggregate** – Aggregate should be put in a maximum of 8 inch lifts and compacted with a plate compactor or 5-ton roller.

### De



Typical Trench

**\*All contractors are subject to a 2-year warranty period on trenches within the City's right-of-way**